

coverings with advanced lightweight aluminum structures to provide unique design, functionality, and style. The excellence of the Formulate line of displays, hanging structures and products is simply unmatched. Stretch fabric graphics are hand-sewn, durable and dry-cleanable.



We are continually improving and modifying our product range and reserve the right to vary the specifications without prior notice. All dimensions and weights quoted are approximate and we accept no responsibility for variance. E&OE. See Graphic Templates for graphic bleed specifications.

features and benefits:

- State-of-the-art 30mm aluminum tube frame with snap button assembly
- Features a 34" wide counter available in four laminate color options
- Hardware mounts for a medium sized monitor, max 36"/ 40 lbs
- Kit includes: one frame, one dye-sublimated pillowcase zipper graphic, stand-off monitor mount, counter, and one wheeled molded OCL and OCH2 storage case
- Lifetime hardware warranty against manufacturer defects

dimensions:

Hardware	Graphic
<p>Assembled unit: 112"w x 92.57"h x 43.4"d</p> <p>Stand-off monitor mount with counter: 37.4"w x 92.4"h x 29.4"d</p> <p>Approximate weight (includes graphic): 53.5 lbs / 24.3 kg</p>	<p>Total visual area: 123.125"w x 92"h</p> <p>Stand-off graphic total visual area: Top: 37.4"w x 24.5"h Bottom: 37.4"w x 38.2"h</p> <p>Please be sure to include a 2" bleed around the perimeter.</p>
<p>Shipping</p> <p>Shipping dimensions - ships in two cases: One OCL case: 19"l x 19"w x 56"h One OCH2 case: 52"l x 30"w x 15"h</p> <p>Approximate shipping weight (with cases): 103.5 lbs / 47 kg</p>	<p>Refer to related graphic template for more information.</p>

additional information:

Graphic material: dye-sublimated fabric

Countertop holds max 25 lbs / 11.3 kg

Monitor mount: max T.V. size is 36"/ 40 lbs

*Kit does not include monitor

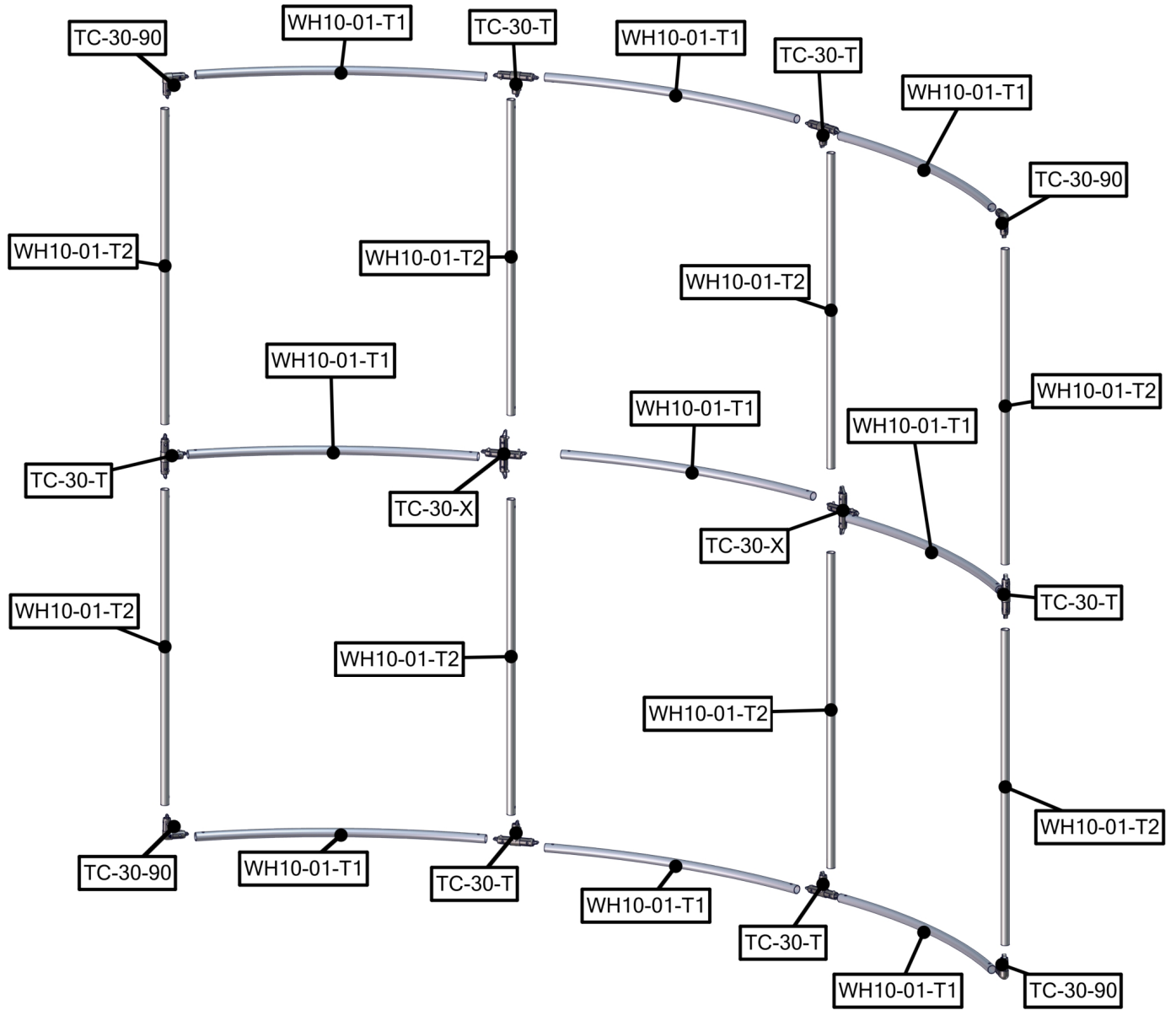
Table colors:



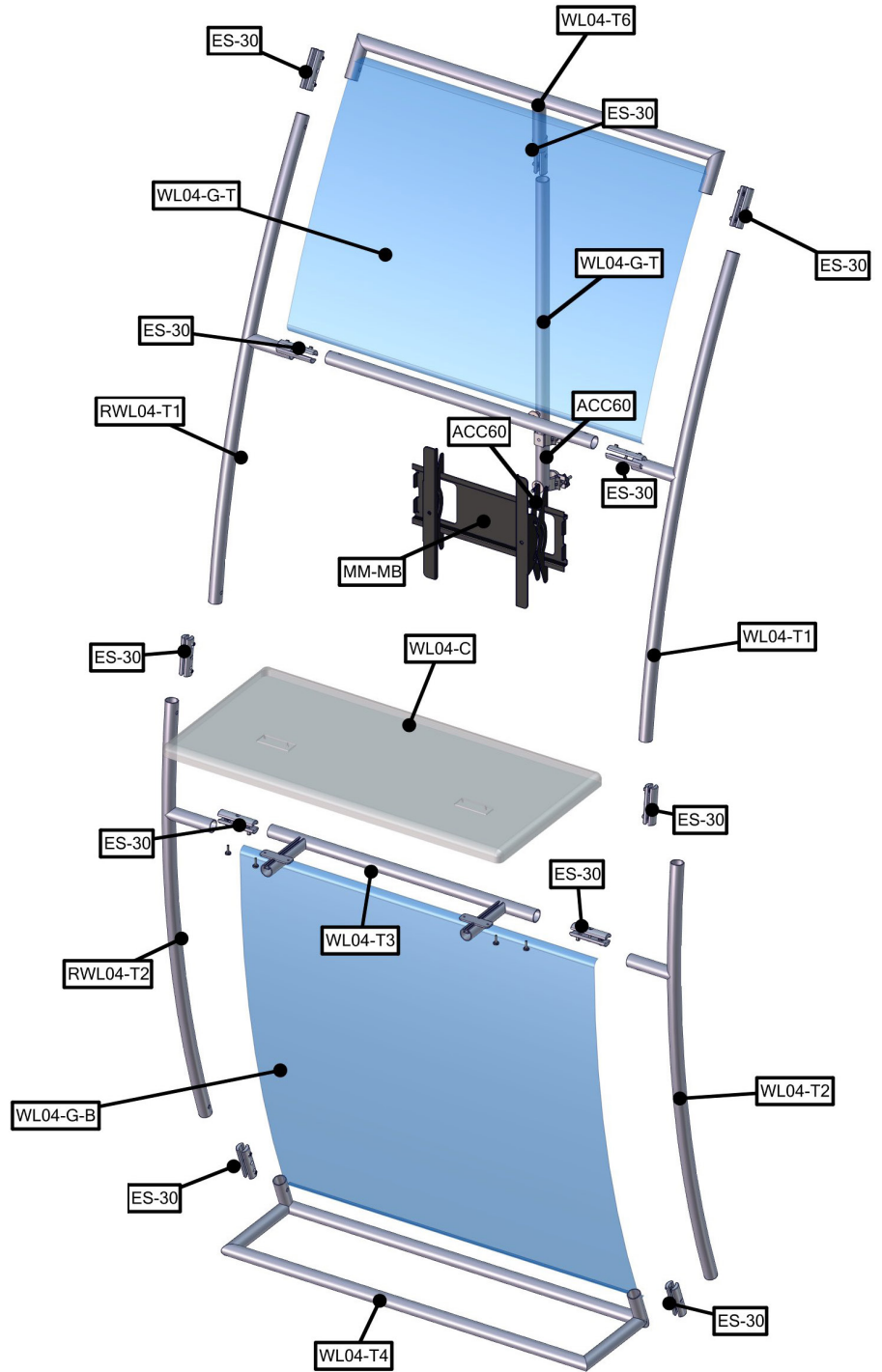
silver black mahogany natural

NVP
exhibits
www.nvp.com.au

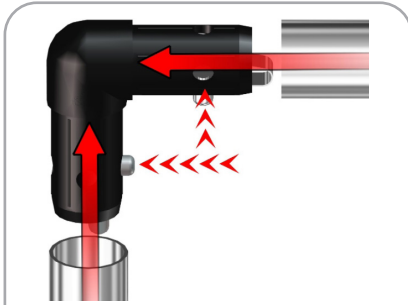
Parts Included		
Part Label	Qty	Part Code
FABRIC GRAPHIC	x1	WH10-01-G
90 DEGREE ELBOW JOINT FOR 30MM TUBING	x4	TC-30-90
T JUNCTION FOR 30MM TUBING	x6	TC-30-T
4 WAY JUNCTION FOR 30MM TUBING	x2	TC-30-X
R2000MM X 30MM TUBE (997MM ARC)	x9	WH10-01-T1
1114MM X 30MM TUBE	x8	WH10-01-T2



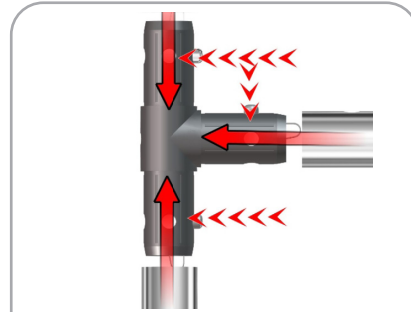
Parts Included		
Part Label	Qty	Part Code
30MM TUBE CLAMP	x2	ACC60
EXPANDING SPIGOT FOR 30MM TUBE	x11	ES-30
FABRIC GRAPHIC BOTTOM	x1	WL04-G-B
FABRIC GRAPHIC TOP	x1	WL04-G-T
MEDIUM MONITOR BRACKET	x1	MM-MB
881MM X 422MM X 30MM COUNTER	x1	WL04-C
30MM CURVED TUBE TOP RIGHT SIDE	x1	RWL04-T1
30MM CURVED TUBE RIGHT SIDE	x1	WRL04-T2
30MM CURVED TUBE LEFT SIDE	x1	WL04-T1
30MM CURVED TUBE LEFT SIDE	x1	WL04-T2
30MM SPREADER TUBE WITH COUNTER SUPPORTS	x1	WL04-T3
30MM BASE TUBE SECTION	x1	WL04-T4
30MM TOP END SECTION	x1	WL04-T6



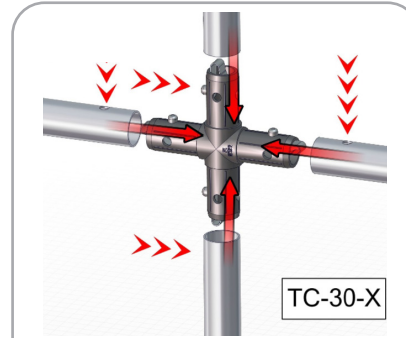
STEP 1: ASSEMBLE FRAME



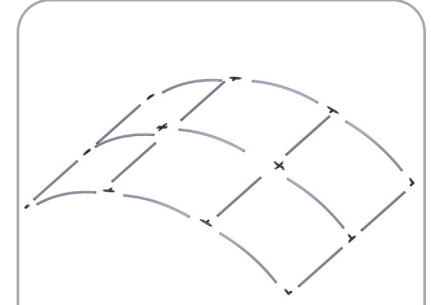
Assemble top frame corners using TC-30-90. Label codes will be on backside of tube. It is best to assemble frame laying flat.



Connect top and bottom sides of frame using TC-30-T by lining up holes with snap buttons.

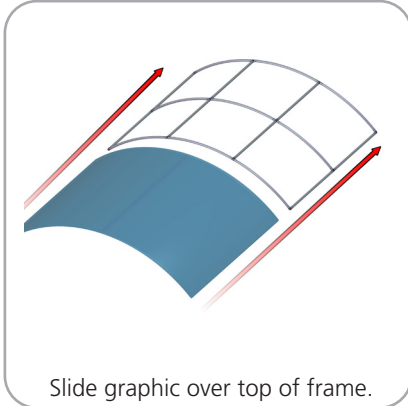


Use TC-30-X to connect middle frame sections; snap on button.

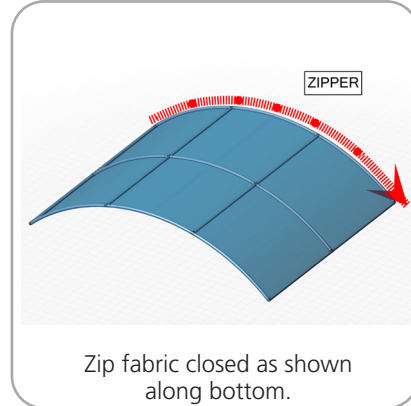


Frame assembly is complete once all sides and middle are connected.

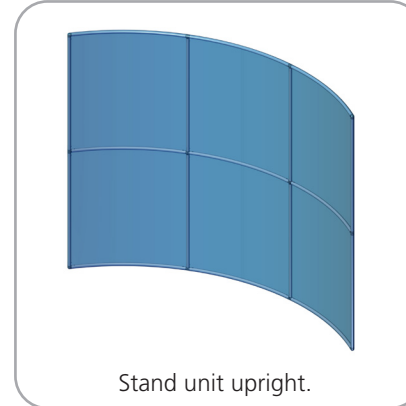
STEP 2: ATTACH GRAPHIC



Slide graphic over top of frame.

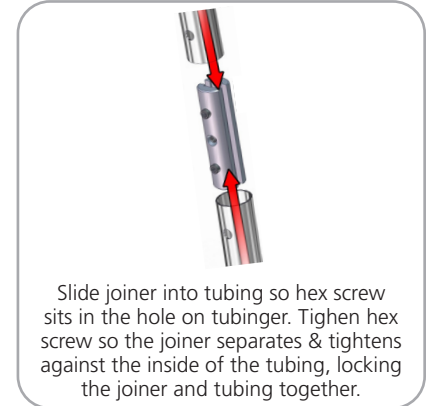


Zip fabric closed as shown along bottom.



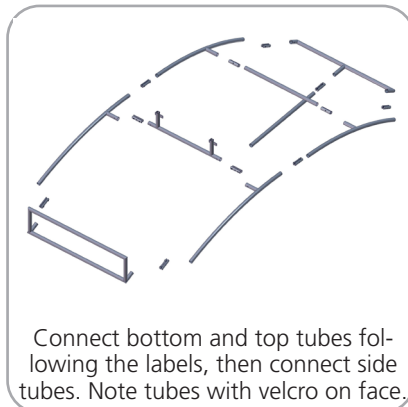
Stand unit upright.

STEP 3: ASSEMBLE LADDER FRAME

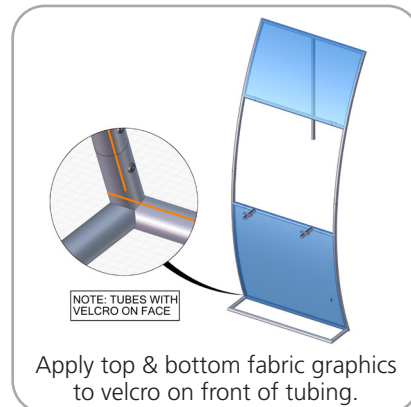


Slide jointer into tubing so hex screw sits in the hole on tubing. Tighten hex screw so the jointer separates & tightens against the inside of the tubing, locking the jointer and tubing together.

STEP 4: ATTACH GRAPHICS

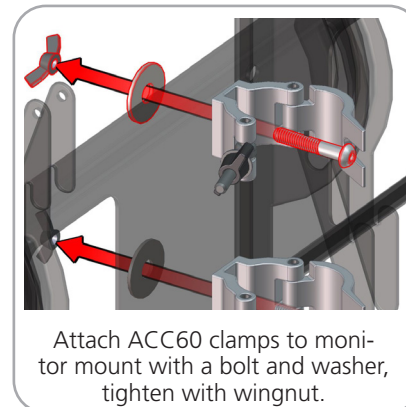


Connect bottom and top tubes following the labels, then connect side tubes. Note tubes with velcro on face.

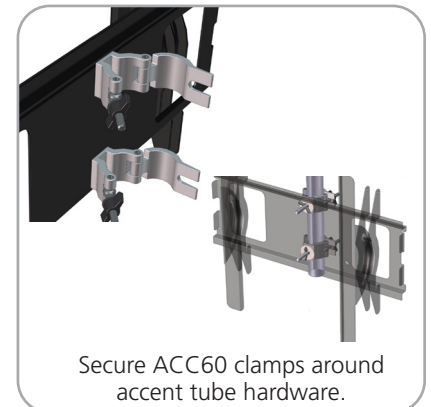


Apply top & bottom fabric graphics to velcro on front of tubing.

STEP 5: INSTALL MONITOR MOUNT

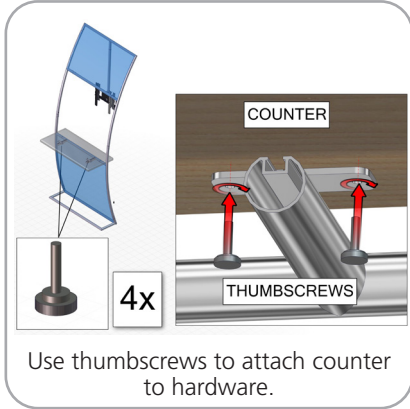


Attach ACC60 clamps to monitor mount with a bolt and washer, tighten with wingnut.

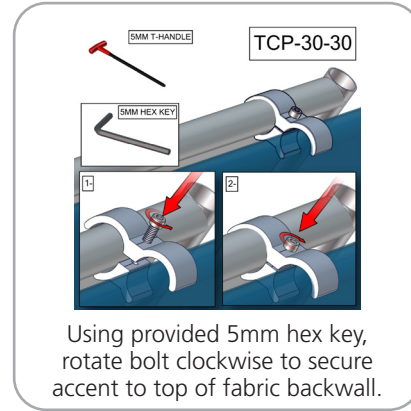
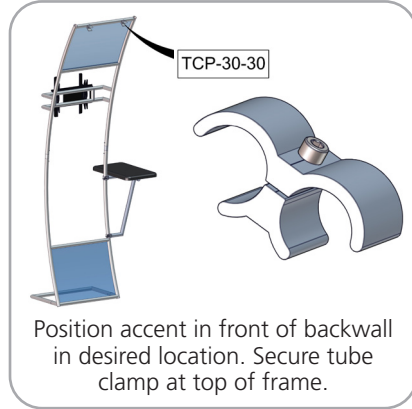


Secure ACC60 clamps around accent tube hardware.

STEP 6: ATTACH COUNTER TO ACCENT FRAME



STEP 7: ATTACH TO BACKWALL WITH CLAMPS



Check out these related products:



(Horizontal Curve)



(Vertical Curve)



(Straight)

